



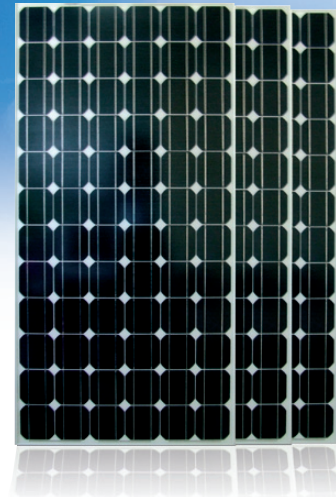
## SUNTELLIGENCE ST185M5

### About Suntelligence

Suntelligence is a premium solar module product range designed with affordability in mind, but not at the expense of quality and performance.

As part of the Sungrid portfolio, Suntelligence products are designed and manufactured to the same high standards of quality assurance and are underpinned by globally accepted industry standard warranties to deliver a solid value and service proposition for customers.

The manufacturing facilities used to produce the Suntelligence product have a rigorous quality assurance system and are supported by regular independent assessments and inspections. These manufacturing facilities are certified to ISO9001:2000 and the solar modules certified to IEC61215 and IEC61730.



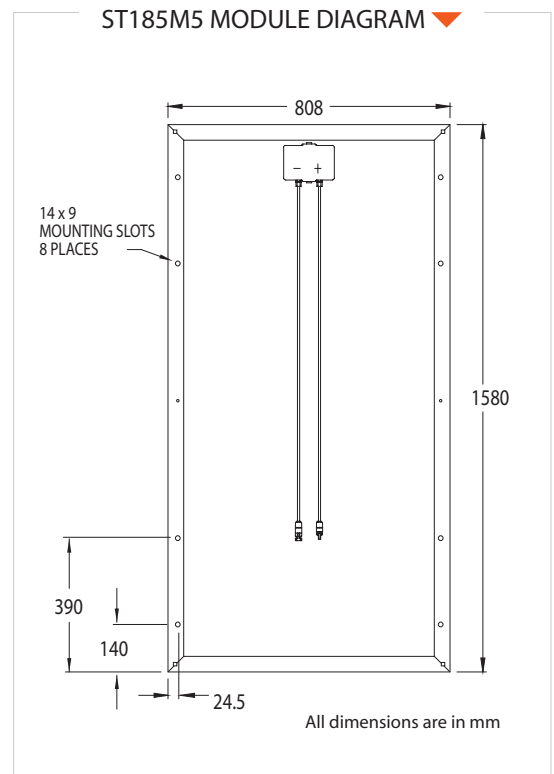
ST185M5 MODULE ▲

Electrical characteristics (at STC: 1000W/m, AM1.5, 25°C)	
Maximum power (W)	185
Open circuit voltage (V)	44.3
Short circuit current (A)	5.4
Maximum power voltage (V)	36.8
Maximum power current (A)	4.94
Module efficiency (%)	14.5

*NOCT (°C)	46±2
Nominal voltage (VDC)	24
Power tolerance (%)	±3
Temperature coefficient of Isc (%/°C)	+0.04
Temperature coefficient of Voc (%/°C)	-0.34
Temperature coefficient of power (%/°C)	-0.47
Series fuse rating (A)	10
Maximum system voltage (Vdc)	1000
Operating temperature (°C)	-40/+85
Number of bypass diodes	3

\*NOCT (800W/m<sup>2</sup>, air temperature 20°C, wind speed 1m/s)

Mechanical and physical characteristics	
Cells	72 pcs(6x12)/125x125mm /mono
Weight (kg)	17.0
Dimensions L/W/D (mm)	1580 x 808 x 35
Maximum load	5400Pa (to IEC61215 Ed.2)
Cable size (area/length)	4mm <sup>2</sup> , 1000mm
Connector type	MC4 compatible
Product Code:	ST185M5CN2



### Suntelligence warranty information

Five year product warranty.
Maximum power not less than 90% after 10 years and 80% after 25 years.
Power tolerance of ±3%

Suntelligence products installed by:



1300 881 440

Address: 3, 94 Belgravia Street, Belmont 6104



Specifications may be subject to change without notice.  
Information updated 14.09.10  
For more information on Sungrid visit: [www.sungridsolar.com](http://www.sungridsolar.com)