



BOSCH

Invented for life



1300 881 440

Harness the sun and save.

Energy efficient water heating anywhere in Australia

www.bosch-climate.com.au

Updated Model
Increased rebates now available.
Efficient heating down to -7°C

The Bosch Compress 3000 is an Air to Water heat pump which was developed in Europe converting the same reliable technology used in refrigerators to extract heat from the air and transfer it into the water. This means that the heat pump reduces energy use by up to 65% compared to a conventional electric storage hot water system. Operating down to -7°C the Compress 3000 provides you with energy efficient hot water even when it is cold outside.

Engineered and manufactured in Europe, the Bosch Compress 3000 includes 'smart controls', which allow the user to maximise their savings while satisfying their hot water needs. The Compress 3000 can also be used to optimise energy usage in combination with a PV solar energy generation system.

Features and Benefits

- ▶ Highly efficient heat pump – reduces energy use by up to 65%
- ▶ Eligible for generous government rebates
- ▶ Smart Controls to take advantage of
 - ▶ Cheaper overnight power prices
 - ▶ PV solar energy generation systems
- ▶ Noise reduction mode
- ▶ Designed for easy and low-cost install and servicing
- ▶ The heat pump operates from -7°C to 40°C, delivering energy efficient hot water even in colder climates

For more information call 1300 881 440 or visit www.solarharness.com.au



Bosch Compress 3000 CALL 1300 881 440



- ▶ Reduces energy use by up to 65%
- ▶ Smart controls for user flexibility—demand and running cost optimisation
- ▶ Suitable for 3-4 people

www.solarharness.com.au

Specifications

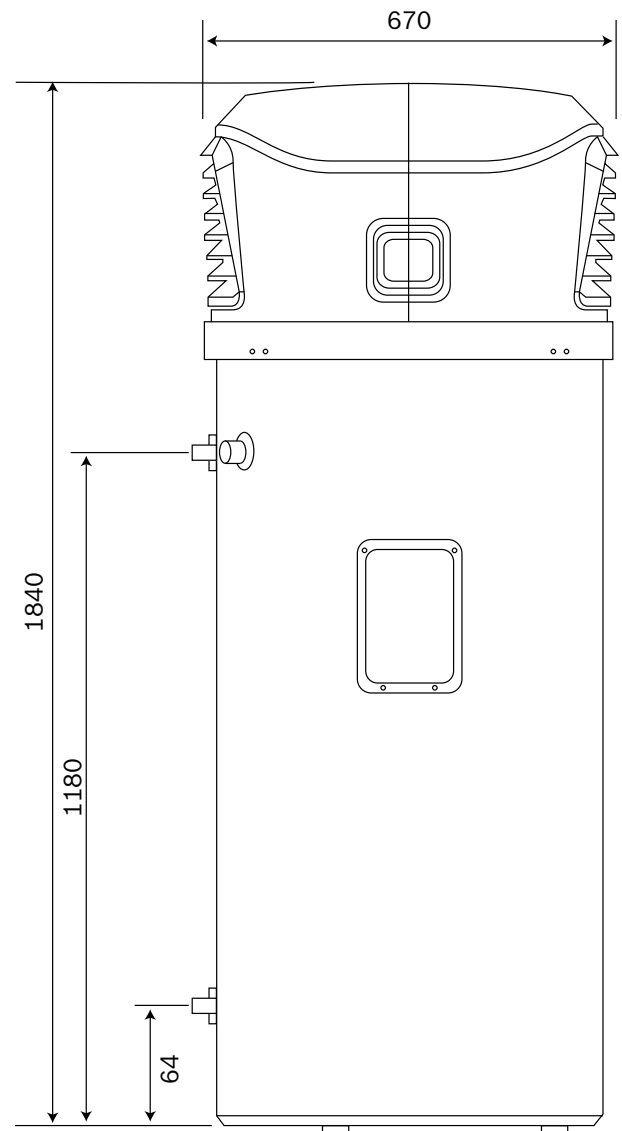
	Model
Bosch Product Code	7736501960
Heat Pump operating temperatures °C	-7°C / +40°C
Total operating temperatures °C	-10°C / +50°C
Outlet Water temperature °C	60°C - 65°C
Storage capacity (L)	270
Max Water Relief Pressure (kPa)	1000
Max Water Supply Pressure (kPa)	800
COP*	3.3
Heat Pump	
Heat Pump Max input (kW)	0.6
Max Current (A)	2.6
Heat Pump heating capacity (kW)	1.5
Back Up Electric Element	
Heat input (kW)	1.65
Total Max current (A)	7.2
Maximum Combined Total	
Heating capacity (kW)	3.15
Maximum input	2.25
Maximum Current @ 230V (A)	9.8
Net empty weight (kg)	130
Refrigeration type/ Mass (kg)	R134a/0.375
Domestic Warranty	
Parts & Labour	2 Years
Tank (Part Only)	5 Years

STC Zones **

		STC Zones				
Code on REC Registry	Zone	1	2	3	4	5
HP 270-2E 0 FOOV/S	STCs	23	23	27	29	27

* COP as measured under the following conditions: air 15°C; RH 70%; water 15°C-60°C.

** Postcodes for each of the STC zones are available on: ret.cleanenergyregulator.gov.au



Note: Heat pumps use the ambient temperature in surrounding air to heat water in the tank. This means as the air temperature around the tank decreases, the time taken to heat the full tank increases. Customers in colder climate and frost prone areas should consider this when deciding which type of Bosch system is best for their circumstances. For detailed information on which Bosch hot water system best suits your needs please call Bosch.

Please contact us on 1300 881 440 or visit www.solarharness.com.au for more information.