



Conergy SolarFamulus II

The side-by-side mounting frame of the Conergy SolarFamulus II can be adapted to suit individual customers' needs, thanks to a variable tilt angle and various foot options ranging from ballasts to roof penetration. It allows the modules to be arranged next to each other up to a length of approximately 12 m. The modules can be installed either upright or crossways.

Optimum adaptability.

This ingenious standard system was specially designed to allow problem-free, project-specific customisation for the most diverse special requirements on flat roofs.

Quick installation

All components are pre-assembled according to the chosen photovoltaic module type¹ and the configuration of the module array. The combination of Quickstone technology, an ingenious design and standard pre-assembly allows for quick installation using few tools.

High safety level

All project-related designs are created according to the relevant static requirements.

Maximum service life

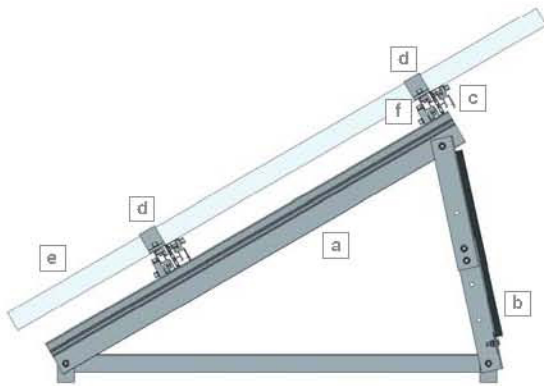
All components used are made of aluminium or stainless steel. Their high corrosion resistance ensures maximum service life and also means that they can be completely recycled.



¹ For detailed information, please contact us before you commence planning.



Conergy SolarFamulus II



Side view



System view

Overview

- a** Triangle (version shown: triangle with base bracket)
- b** Diagonal
- c** Base rail with telescopic end piece
- d** Module/end clamp
- e** Modules
- f** X-Stone

Conergy SolarFamulus II

Installation site	Flat roof ¹ and ground
Height of building	Depends on wind zone and terrain category
Photovoltaic modules	Framed and unframed
Module arrangement	In series (up to approx. 12 m per frame unit)
Module orientation	Upright, crossways
Tilt angle	20°, 25°, 30° (variants available on request)
Size of the module array	Any size possible
Position of the module array	Any position possible
Distance between lower edge	8 to 10 cm (variants available on request)
Standards	DIN 1055 - Action on structures EUROCODE 9 - Design of aluminium structures
Frame sections	Frame sections: extruded aluminium (EN AW 6063 T66), (EN AW 6060 T6)
Small parts	Stainless steel (V2A)
Warranty period	10 years ²

¹ Note: Please always check the static suitability of the roof!

² According to the manufacturer's current warranty conditions.



1300 881 440