

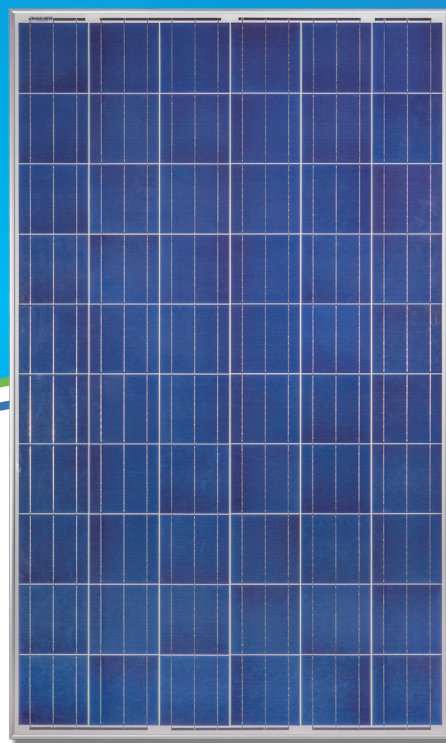
Call the Solar Harness team today

CALL 1300 881 440
or visit solarharness.com.au

GCL-P6/60

HIGH EFFICIENCY
MULTICRYSTALLINE MODULE

• GCL-P6/60 275 Watt



Superior performance and high efficiency due to advanced PERC technology



PID free



Snail trails free



Highly resistant to sand, acid and alkali



Excellent weak light performance



1300 881 440
Harness the sun and save.

275^W

MAXIMUM POWER OUTPUT

16.9%

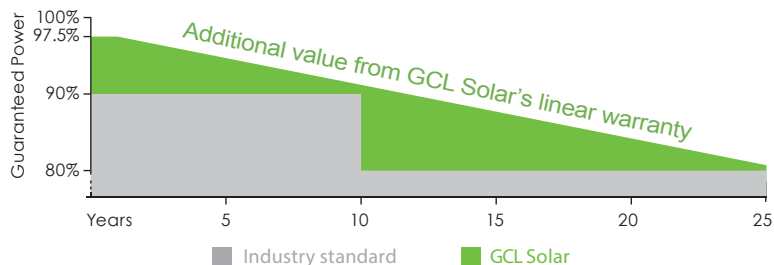
MAXIMUM MODULE EFFICIENCY

0~+5^W

POWER OUTPUT GUARANTEE

LINEAR PERFORMANCE WARRANTY

10 YEARS PRODUCT WARRANTY • 25 LINEAR POWER WARRANTY



GCL SYSTEM INTEGRATION <http://en.gclsi.com>

Call 1300 881 440 today



Bringing Green Power to Life

CERTIFICATION



B A B T

GCL-P6/60

HIGH EFFICIENCY MULTICRYSTALLINE MODULE

ELECTRICAL SPECIFICATION (STC)

| | | |
|------------------------|--------|------|
| Peak Power Watts | Pm(W) | 275 |
| Power Output Tolerance | Pm(%) | 0~+5 |
| Maximum Power Voltage | Vm(V) | 31.4 |
| Maximum Power Current | Im(A) | 8.76 |
| Open Circuit Voltage | Voc(V) | 38.5 |
| Short Circuit Current | Isc(A) | 9.38 |
| Module Efficiency | (%) | 16.9 |

Values at Standard Test Conditions STC (Air Mass AM1.5, Irradiance 1000W/m², Cell Temperature 25° C).

ELECTRICAL DATA (NOCT)

| | | |
|------------------------|--------|------|
| Maximum Power | Pm(W) | 192 |
| Power Output Tolerance | Pm(%) | 0~+5 |
| Maximum Power Voltage | Vm(V) | 27.8 |
| Maximum Power Current | Im(A) | 6.94 |
| Open Circuit Voltage | Voc(V) | 35.1 |
| Short Circuit Current | Isc(A) | 7.46 |

NOCT: Irradiance at 800W/m², Ambient Temperature 20° C, Wind Speed 1m/s.

MECHANICAL DATA

| | |
|-------------------|--|
| Solar Cells | Poly 156x156mm (6 inches) |
| Cell Orientation | 60 Cells (6x10) |
| Module Dimensions | 1640x992x40/35mm (64.56 x 39.05 x 1.57/1.38 inches) |
| Weight | 18.5KG |
| Glass | High transparency solar glass 3.2mm (0.13 inches) |
| Backsheet | White |
| Frame | Anodized aluminium alloy |
| J-Box | IP65/IP67 Rated |
| Cables | 4.0mm ² (0.006 inches ²), 900mm (35.4 inches) |
| Connector | Original MC4 or Compatible |

TEMPERATURE RATINGS

| | |
|---|------------|
| Nominal Operating Cell Temperature (NOCT) | 45±2°C |
| Temperature Coefficient of P _{MAX} | -0.43% /°C |
| Temperature Coefficient of V _{OC} | -0.35% /°C |
| Temperature Coefficient of I _{SC} | 0.04% /°C |

MAXIMUM RATINGS

| | |
|-------------------------|---------------|
| Operational Temperature | -40~+85°C |
| Maximum System Voltage | 1000V DC(IEC) |
| Max Series Fuse Rating | 15A |

WARRANTY

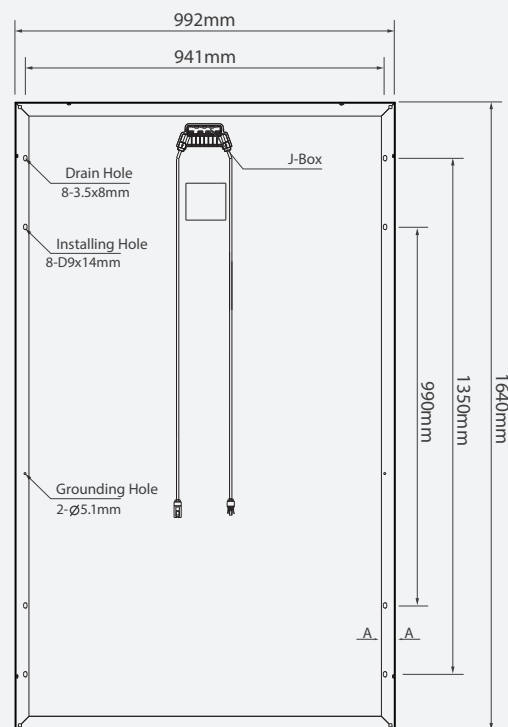
- 10 years Product Workmanship Warranty
- 25 years linear Power Warranty

(Please refer to GCL standard warranty for details)

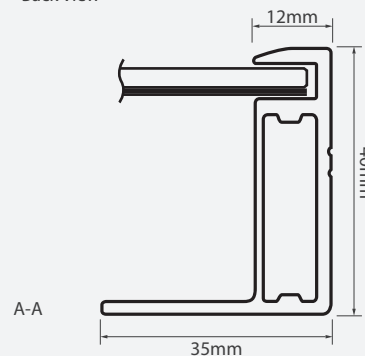


1300 881 440
Harness the sun and save.

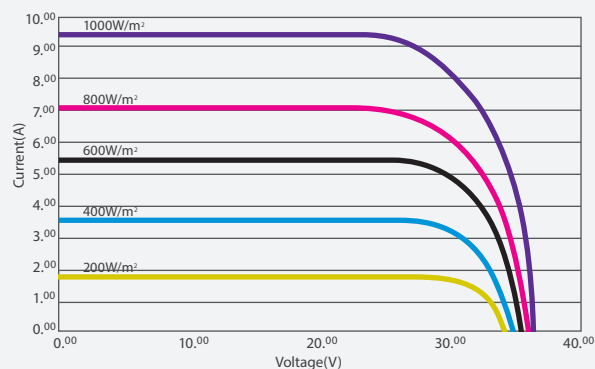
MODULE DIMENSION



Back View



I-V CURVES OF MODULE (275W)



Excellent performance under weak light conditions: at an irradiation intensity of 200W/m² W/m(AM 1.5, 25 °C), 95.5% or higher of the STC efficiency (1000 W/m²) is achieved



Bringing Green Power to Life

Call the Solar Harness team today
for your energy efficiency solutions

GCL-201601-V2

CAUTION: READ INSTALLATION MANUAL BEFORE USING THE PRODUCT
©2015 GCL System Intergration Technology Co., Ltd. All rights reserved. Specifications included in this datasheet are subject to change without notice.

Call 1300 881 440